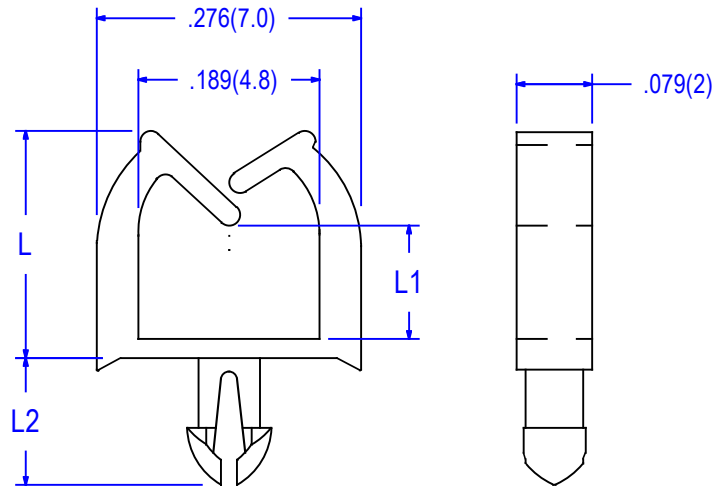


03-83 SERIES



Item No.	Dimension No.			Hole Dia. ±.003(0.08)	Board Thickness
	L	L1	L2		
03-83-10	.157 (4.0)	.047 (1.2)	.130 (3.3)	.067(1.7)	.063(1.6)
03-83-20	.236 (6.0)	.118 (3.0)	.130 (3.3)		
03-83-1-10	.157 (4.0)	.047 (1.2)	.161 (4.1)		.093(2.4)
03-83-1-20.	.236 (6.0)	.118 (3.0)	.161 (4.1)		

PACKAGING : 1000 PER BAG

FOR UL 94V-0 MATERIAL: ADD SUFFIX "X" TO ITEM NUMBER.
FOR COLOR BLACK: ADD SUFFIX "BK" TO ITEM NUMBER.



MATERIAL	NYLON 66
UL RATING	94V-2
UL FILE NO.	E41938
COLOR	NATURAL
RoHS COMPLIANCE	YES
TEMPERATURE RANGE (REF.)	-40 to 185°F (-40 to 85°C)
MR NUMBER	12

					BY	DATE	Title	
							MICRO WIRE ROUTER	
							Part No.	Issue
							See Table	○
							DIMS. Inches (mm)	
							Drwg. type	03-09-20
							Catalog	
							File No.	⊕
No	Revision	Date	Init.				03-83 series	



ALL ELECTRONICS HARDWARE INC.
2642 CORPORATE PARKWAY
ALGONQUIN, ILLINOIS . 60102
1-800-778-7234